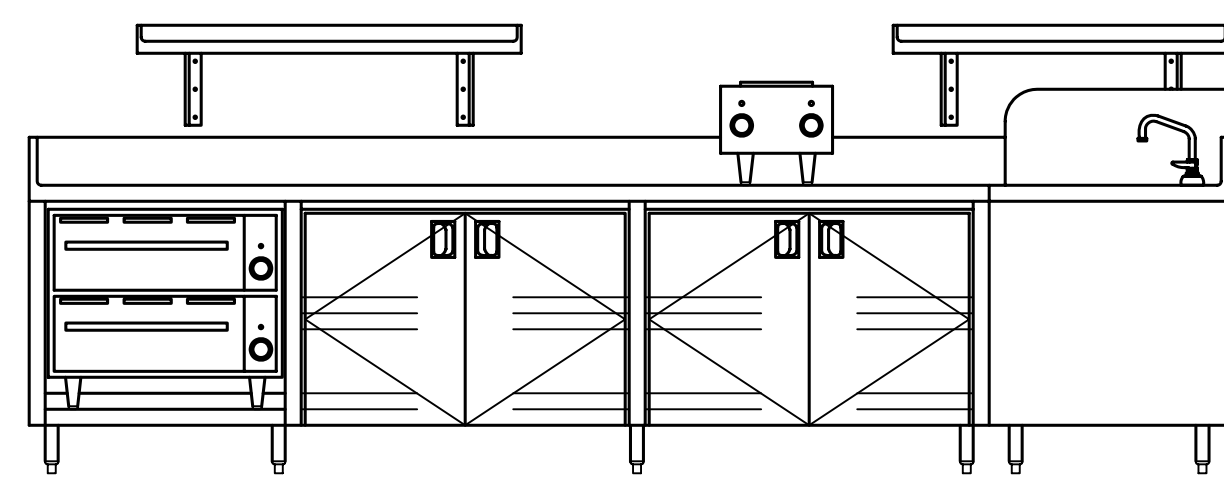
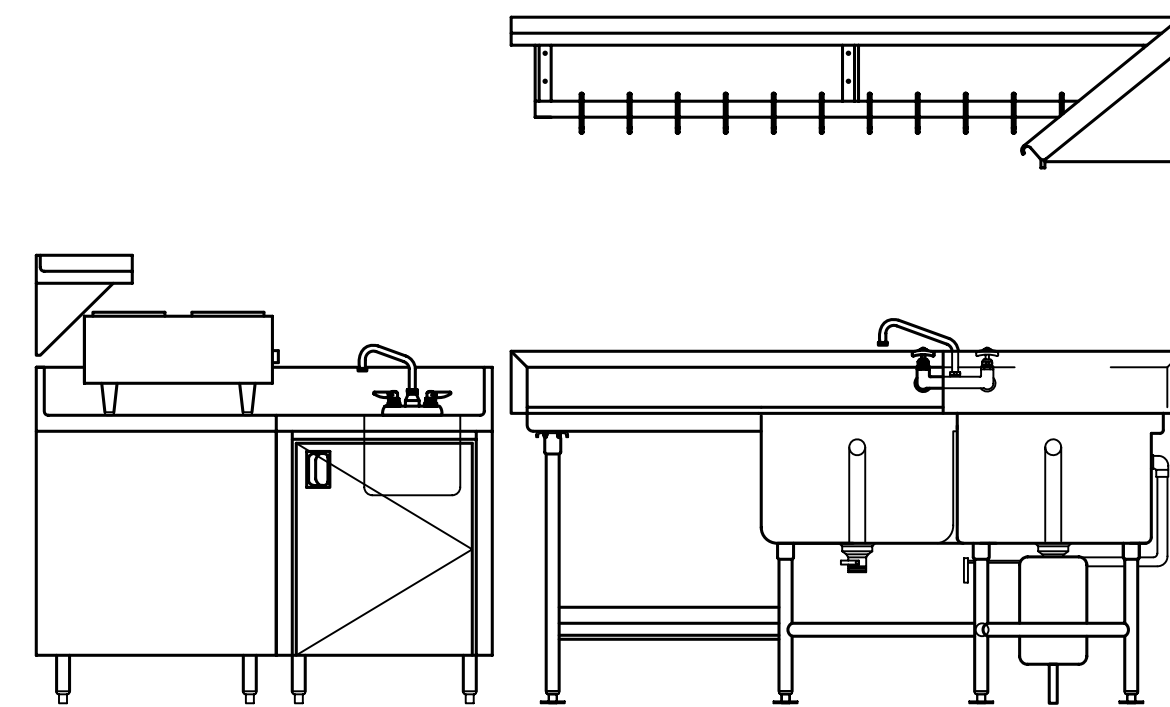


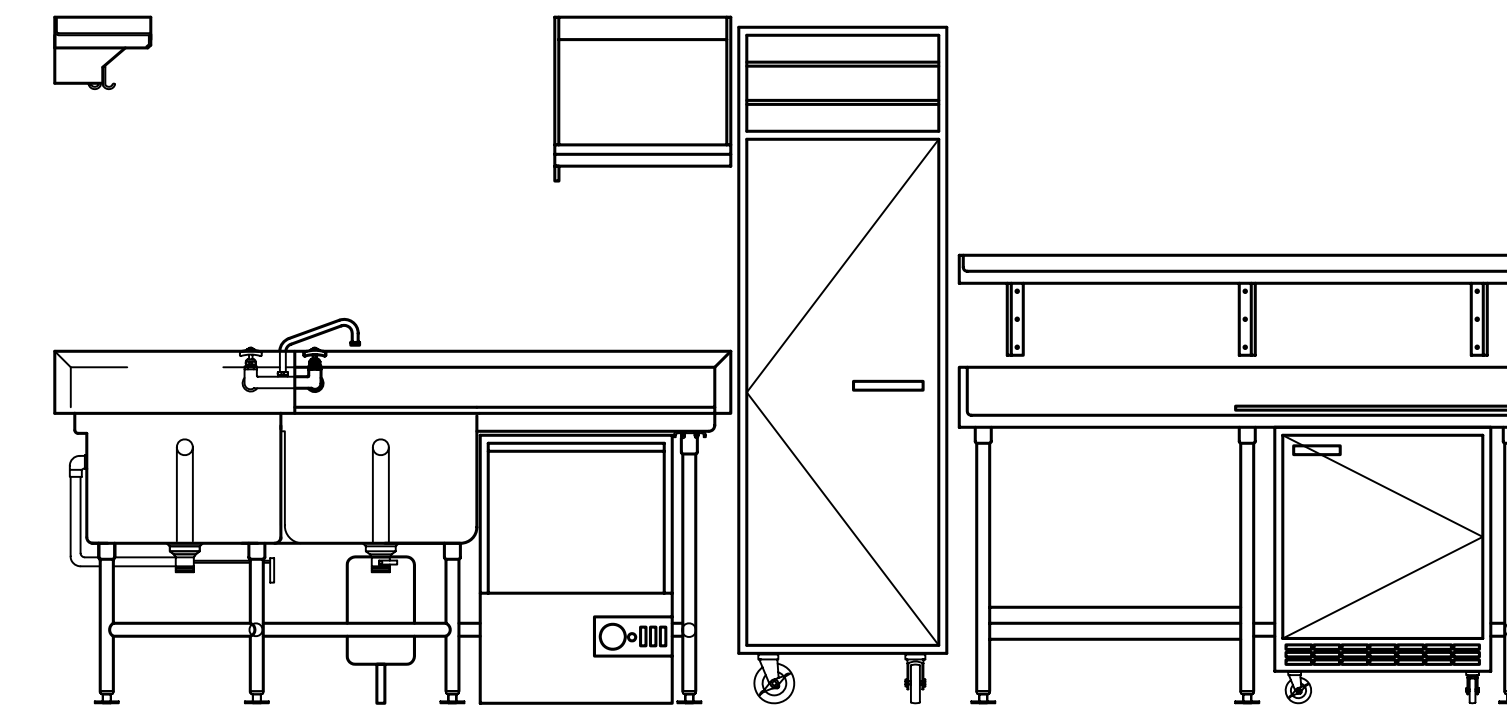
- 1 - STORAGE SHELVING
- 2 - MOBILE CART
- 3 - DRAWER WARMER
- 4 - WALL SHELF
- 5 - WORK COUNTER
- 6 - HOT PLATE
- 7 - WALL SHELF
- 8 - HAND SINK
- 9 - POT RACK
- 10 - 3 COMPARTMENT SINK
- 11 - DISPOSER
- 12 - UNDERCOUNTER DISHMACHINE
- 13 - RACK SHELF
- 14 - SINGLE DOOR COOLER
- 15 - WORKTABLE
- 16 - UNDERCOUNTER FREEZER
- 17 - CUTTING BOARD
- 18 - WALLSHELF



ELEVATION A



ELEVATION B



ELEVATION C

CITY ARTS FACTORY ORLANDO, FL

No. Revision/Issue Date

No.	Revision/Issue	Date

commercial
kitchen
designs

Project Name and Address

Project

Date

Scale